

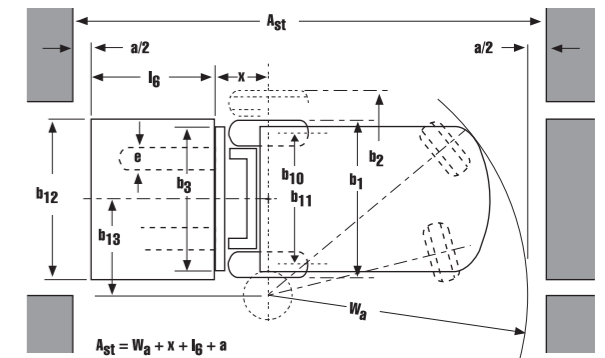
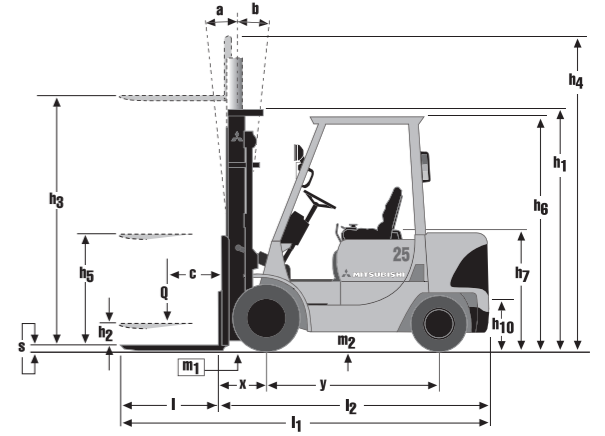


**Engine Powered
forklift trucks
2.0-3.5t**



**FD/FG20K
FD/FG25K
FD/FG30K
FD/FG35K**

Characteristics												
1.1	Manufacturer		Mitsubishi	Mitsubishi	Mitsubishi	Mitsubishi		1.1	Mitsubishi	Mitsubishi	Mitsubishi	Mitsubishi
1.2	Manufacturer's model designation		FG20K	FG25K	FG30K	FG35K		1.2	FD20K	FD25K	FD30K	FD35K
1.3	Power source: Battery, diesel, LP gas, petrol		LP Gas	LP Gas	LP Gas	LP Gas		1.3	Diesel	Diesel	Diesel	Diesel
1.4	Operator type : Pedestrian, (operator)-standing, -seated		Seated	Seated	Seated	Seated		1.4	Seated	Seated	Seated	Seated
1.5	Lifting capacity	Q (t)	2.0	2.5	3.0	3.5		1.5	2.0	2.5	3.0	3.5
1.6	At load centre	c (mm)	500	500	500	500		1.6	500	500	500	500
1.8	Load distance	x (mm)	455	455	490	490		1.8	455	455	490	490
1.9	Wheelbase	y (mm)	1600	1600	1750	1750		1.9	1600	1600	1750	1750
Weight												
2.1	Truck weight, without load	kg	3350	3680	4380	4730		2.1	3470	3800	4490	4850
2.2	Axle loading with rated load, front/rear	kg	4740 / 610	5470 / 710	6510 / 870	7290 / 940		2.2	4780 / 690	5510 / 790	6550 / 940	7340 / 1010
2.3	Axle loading without rated load, front/rear	kg	1540 / 1810	1470 / 2210	1810 / 2570	1810 / 2920		2.3	1580 / 1890	1510 / 2290	1850 / 2640	1860 / 2990
Wheels, Drive Train												
3.1	Tyre type: V=solid, L=pneumatic, SE=solid pneumatic - Front/rear		SE / SE (L / L)	SE / SE (L / L)	SE / SE (L / L)	SE / SE (L / L)		3.1	SE / SE (L / L)	SE / SE (L / L)	SE / SE (L / L)	SE / SE (L / L)
3.2	Tyre dimensions, front		7.00-12 (14 PR)	7.00-12 (14 PR)	28x9-15 (14 PR)	250-15 (16 PR)		3.2	7.00-12 (14 PR)	7.00-12 (14 PR)	28x9-15 (14 PR)	250-15 (16 PR)
3.3	Tyre dimensions, rear		6.00-9 (10 PR)	6.00-9 (10 PR)	6.50-10 (10 PR)	6.50-10 (12 PR)		3.3	6.00-9 (10 PR)	6.00-9 (10 PR)	6.50-10 (10 PR)	6.50-10 (12 PR)
3.5	Number of wheels, front/rear (x=driven)		2x / 2	2x / 2	2x / 2	2x / 2		3.5	2x / 2	2x / 2	2x / 2	2x / 2
3.6	Distance between centreline of tyres, front	b10 (mm)	960	960	1060	1060		3.6	960	960	1060	1060
3.7	Distance between centreline of tyres, rear	b11 (mm)	975	975	975	975		3.7	975	975	975	975
Dimensions												
4.1	Mast tilt, forwards/backward	∂/β (°)	6 / 10	6 / 10	6 / 10	6 / 10		4.1	6 / 10	6 / 10	6 / 10	6 / 10
4.2	Height with mast lowered	h1 (mm)	2145	2145	2165	2300		4.2	2145	2145	2165	2300
4.3	Standard free lift	h2 (mm)	100	100	100	100		4.3	100	100	100	100
4.4	Standard lift height	h3 (mm)	3300	3300	3270	3300		4.4	3300	3300	3270	3300
4.5	Overall height with mast raised	h4 (mm)	4355	4355	4325	4355		4.5	4355	4355	4325	4355
4.7	Height to top of overhead guard	h6 (mm)	2145	2145	2165	2175		4.7	2145	2145	2165	2175
4.8	Seat height	h7 (mm)	1090	1090	1110	1120		4.8	1090	1090	1110	1120
4.12	Tow coupling height	h10 (mm)	325	325	345	355		4.12	325	325	345	355
4.19	Overall length	l1 (mm)	3540	3595	3795	3835		4.19	3540	3595	3795	3835
4.20	Length to fork face (includes fork thickness)	l2 (mm)	2470	2525	2725	2765		4.20	2470	2525	2725	2765
4.21	Overall width	b1/b (mm)	1130	1130	1270	1275		4.21	1130	1130	1270	1275
4.22	Forks dimensions (thickness, width, length)	s,e,l (mm)	40 x 110 x 1070	40 x 110 x 1070	45 x 125 x 1070	45 x 125 x 1070		4.22	40 x 110 x 1070	40 x 110 x 1070	45 x 125 x 1070	45 x 125 x 1070
4.23	Fork carriage to DIN 15 173 A/B/no		2A	2A	3A	3A		4.23	2A	2A	3A	3A
4.24	Fork carriage width	b3 (mm)	1025	1025	1025	1025		4.24	1025	1025	1025	1025
4.31	Ground clearance under mast, with load	m1 (mm)	85	85	115	120		4.31	85	85	115	120
4.32	Ground clearance centre of wheelbase, with load	m2 (mm)	145	145	170	175		4.32	145	145	170	175
4.33	Working aisle width with 1000 x1200 mm pallets	Ast (mm)	3840	3900	4135	4175		4.33	3840	3900	4135	4175
4.34	Working aisle width with 800 x1200 mm pallets	Ast (mm)	3640	3700	3935	3975		4.34	3640	3700	3935	3975
4.35	Turning circle radius	Wa (mm)	2185	2245	2445	2485		4.35	2185	2245	2445	2485
4.36	Minimum distance between centres of rotation	b13 (mm)	740	740	865	865		4.36	740	740	865	865
Performance												
5.1	Travel speed, with/without load	km/h	16.5 / 18.0	16.0 / 18.0	17.0 / 19.0	17.0 / 19.0		5.1	17.5 / 19.0	17.0 / 19.0	17.0 / 19.0	17.0 / 19.0
5.2	Lifting speed, with/without load	m/s	0.51 / 0.61	0.51 / 0.61	0.47 / 0.52	0.40 / 0.43		5.2	0.64 / 0.67	0.64 / 0.67	0.51 / 0.56	0.43 / 0.47
5.3	Lowering speed, with/without load	m/s	0.50 / 0.50	0.50 / 0.50	0.50 / 0.50	0.50 / 0.50		5.3	0.50 / 0.50	0.50 / 0.50	0.50 / 0.50	0.50 / 0.50
5.5	Rated drawbar pull, with/without load	N	13600 / 6800	13500 / 6300	15700 / 8100	15100 / 8100		5.5	17100 / 6900	17100 / 6500	16600 / 8300	16000 / 8300
5.7	Gradeability, with/without load	%	28 / 19	23 / 16	23 / 18	19 / 16		5.7	35 / 19	29 / 16	24 / 18	20 / 16
5.9	Acceleration time, with/without load (0 - 10 m)	s	4.0 / 4.5	4.0 / 4.5	4.0 / 5.0	4.0 / 5.0		5.9	4.0 / 4.5	4.0 / 4.5	4.0 / 5.0	4.0 / 5.0
5.10	Service brakes (mechanical/hydraulic/electric/pneumatic)		Hydraulic	Hydraulic	Hydraulic	Hydraulic		5.10	Hydraulic	Hydraulic	Hydraulic	Hydraulic
I.C. Engine												
7.1	Manufacturer / Type		Mitsubishi / 4G63	Mitsubishi / 4G63	Mitsubishi / 4G64	Mitsubishi / 4G64		7.1	Mitsubishi / S4S	Mitsubishi / S4S	Mitsubishi / S4S	Mitsubishi / S4S
7.2	Rated output B according to ISO 1585	kW	31	31	37	37		7.2	44	44	44	44
7.3	Rated speed according to DIN 70020	rpm	2400	2400	2400	2400		7.3	2200	2200	2200	2200
7.4	Number of cylinders / Displacement	/ cm ³	4 / 1997	4 / 1997	4 / 2350	4 / 2350		7.4	4 / 3331	4 / 3331	4 / 3331	4 / 3331
7.5	Fuel consumption according to VDI cycle	kg/h l/h	2,1 / -	- / -	2,7 / -	- / -		7.5	- / 2,4	- / 2,6	- / 2,9	- / -
Miscellaneous												
8.1	Type of drive control		Powershift / 1	Powershift / 1	Powershift / 1	Powershift / 1		8.1	Powershift / 1	Powershift / 1	Powershift / 1	Powershift / 1
8.2	Operating pressure for attachments	bar	180	180	180	180		8.2	180	180	180	180
8.3	Oil flow for attachments	l/min	44	44	48	48		8.3	56	56	56	56
8.4	Noise level, mean value at operator's ear	dB (A)	80	80	80	80		8.4	82	82	84	84
8.5	Towing coupling design / DIN type, ref.							8.5				



Mast Type	FD20K • FG20K • FD25K • FG25K			FD20K • FG20K		FD25K • FG25K	
	h3 mm	h1 mm	h4 mm	h2 / h5 mm	Q @ c=500 mm kg	h2 / h5 mm	Q @ c=500 mm kg
Simplex	3000	1995	4055	100	2000	100	2500
	3300	2145	4355	100	2000	100	2500
	3740	2410	4795	100	2000	100	2500
	4100	2590	5155	100	2000	100	2500
	4500	2800	5555	100	1900	100	2400
Duplex	5000	3050	6055	100	1850	100	2300
	3000	1995	4055	940	2000	940	2500
	3300	2145	4355	1090	2000	1090	2500
	3700	2410	4755	1355	2000	1355	2500
Triplex	4020	2590	5075	1535	2000	1535	2500
	3730	1805	4785	750	2000	750	2500
	4030	1905	5085	850	2000	850	2500
	4300	1995	5355	940	1950	940	2450
	4750	2145	5805	1090	1850	1090	2350
	5060	2265	6115	1210	1800	1210	2300
	5500	2410	6555	1355	1750 *	1355	2200 *
	5990	2590	7045	1535	1650 *	1535	2100 *

Key

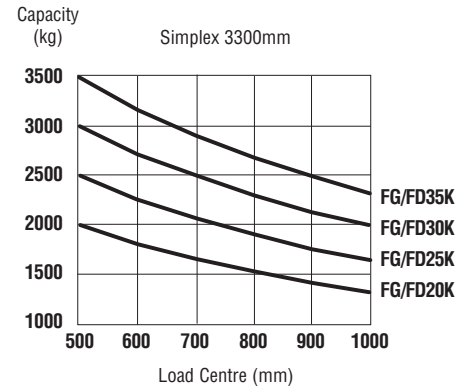
- h1 Height with mast lowered
- h2 Standard free lift
- h3 Standard lift height
- h4 Height with mast raised
- h5 Full free lift
- Q Lifting capacity, rated load
- c Load centre (distance)

(Consult your dealer for the maximum back tilt allowed to obtain the capacities specified.)

* capacities shown require truck equipped with dual tyres.

Mast Type	FD30K • FG30K					FD35K • FG35K				
	h3 mm	h1 mm	h4 mm	h2 / h5 mm	Q @ c=500 mm kg	h3 mm	h1 mm	h4 mm	h2 / h5 mm	Q @ c=500 mm kg
Simplex	3030	2045	4085	100	3000	3000	2180	4055	100	3500
	3270	2165	4325	100	3000	3300	2300	4355	100	3500
	3700	2430	4755	100	3000	3720	2510	4775	100	3500
	4000	2610	5055	100	3000	4000	2765	5055	100	3500
	4500	2870	5555	100	2950	4500	3010	5555	100	3400
	5000	3120	6055	100	2800	5000	3260	6055	100	3300
Duplex	3000	2045	4055	990	3000	3010	2180	4065	1125	3500
	3250	2165	4305	1110	3000	3300	2300	4355	1245	3500
	3700	2430	4755	1375	3000	3720	2625	4775	1570	3500
	4010	2610	5065	1555	3000	4000	2765	5055	1710	3500
Triplex	3690	1825	4745	770	3000	3730	1940	4785	885	3500
	3990	1925	5045	870	3000	4010	2060	5065	1005	3500
	4320	2045	5375	990	3000	4390	2180	5445	1125	3500
	4700	2165	5755	1110	2900	4700	2300	5755	1245	3400
	5060	2285	6115	1230	2800	5030	2445	6085	1390	3300
	5450	2430	6505	1375	2700	5580	2625	6635	1570	3200
	5970	2610	7025	1555	2600 *	6000	2765	7055	1710	3100 *

Capacities at various load centres



CESM0272 (8/01) ok
© 2001 MCFE
Printed in The Netherlands

mitforklift@mcf.nl
www.mitforklift.com

NOTE: Performance specifications may vary depending on standard manufacturing tolerances, vehicle condition, type of tyres, floor or surface conditions, applications or operating environment. Trucks may be shown with non-standard options. Specific performance requirements and locally available configurations should be discussed with your Mitsubishi Forklift Trucks distributor. Mitsubishi follows a policy of continual product improvement. For this reason, some materials, options and specifications could change without notice.