

# SELF-PROPELLED SCISSORS | ROUGH TERRAIN

## BOOST YOUR PERFORMANCE AND POWER

Genie® rough terrain scissor lifts are tough, construction-oriented four-wheel drive machines with positive traction control — ideal for increasing productivity in demanding outdoor worksites. Competitive lift speed and large platforms maximize efficiency with the handling and capacity to get to the jobsite and finish working faster.



### SPEED AND TRACTION

Genie® RT scissor lifts are able to traverse through uneven or rough terrain environments more efficiently. They are equipped with four-wheel drive and positive traction control for traction when you need it most. They offer up to 50% gradeability when driving on slopes.

### FOLD-DOWN CONVENIENCE

Heavy duty fold-down guardrails and a removable rear platform railing allow increased accessibility for loading and unloading the machine in trucks, containers and other situations with limited overhead space. These features also allow easy access through doorways.



**Genie® RT models are built for the rental industry and built to last. They're designed to stand up to the rigors of frequent use in diverse worksite conditions.**



### MORE ROOM TO WORK

These units are ideal for jobs that require greater capacity for more workers, materials and tools. For added workspace, all RT models come standard with a multi-position slide-out extension deck on the front of the platform. A rear slide-out extension deck can be added to models GS™-3384 and up. In addition, power to the platform allows workers to use electrically powered tools.



### EASY SERVICE

On-board diagnostics help operators troubleshoot on the fly and make adjustments in the field to maximize uptime. Plus, slide- or pull-out engine trays allow easy access to components — no need to reach around obstacles inside the machine. Many parts and service procedures are common across the entire Genie® scissors line for cost-effective parts stocking and maintenance efficiencies.



### ROUGH TERRAIN MODELS AVAILABLE

GS™-2668 RT

GS™-3268 RT

GS™-3384 RT

GS™-3390 RT

GS™-4390 RT

GS™-5390 RT

# Specifications

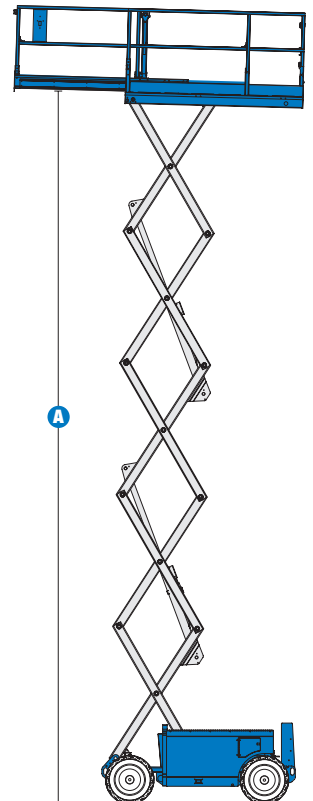
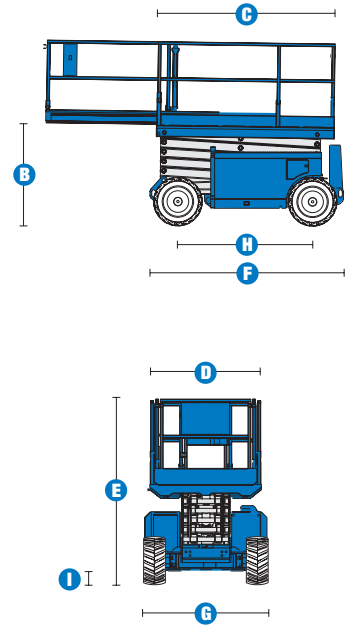
MODELS	GS™-2668 RT		GS™-3268 RT	
MEASUREMENTS	US	Metric	US	Metric
Working height maximum*	32 ft	9.92 m	38 ft	11.75 m
<b>A</b> Platform height maximum	26 ft	7.92 m	32 ft	9.75 m
<b>B</b> Platform height - stowed	3 ft 10.75 in	1.19 m	4 ft 3.75 in	1.31 m
<b>C</b> Platform length - outside	8 ft 3 in	2.51 m	8 ft 3 in	2.51 m
extended	13 ft	3.96 m	13 ft	3.96 m
Slide-out platform extension deck	5 ft	1.52 m	5 ft	1.52 m
<b>D</b> Platform width - outside	5 ft 1 in	1.55 m	5 ft 1 in	1.55 m
Toeboard height	6 in	.15 m	6 in	.15 m
<b>E</b> Height - stowed**	7 ft 7.5 in	2.32 m	8 ft 5 in	2.45 m
rails lowered	5 ft 7 in	1.70 m	6 ft	1.83 m
<b>F</b> Length - stowed	8 ft 9 in	2.67 m	8 ft 9 in	2.67 m
platform extended	13 ft 5.5 in	4.10 m	13 ft 5.5 in	4.10 m
with outriggers	11 ft 3 in	3.38 m	11 ft 3 in	3.38 m
<b>G</b> Width	5 ft 8 in	1.73 m	5 ft 8 in	1.73 m
<b>H</b> Wheelbase	6 ft 1 in	1.85 m	6 ft 1 in	1.85 m
<b>I</b> Ground clearance - center	7.5 in	.19 m	7.5 in	.19 m

PRODUCTIVITY				
Maximum platform occupancy***	4	4	4	4
Lift capacity	1,250 lbs	567 kg	1,000 lbs	454 kg
Extension deck capacity	300 lbs	136 kg	300 lbs	136 kg
Drive speed - stowed	3.8 mph	6.1 km/h	3.8 mph	6.1 km/h
Drive speed - raised	0.5 mph	0.8 km/h	0.5 mph	0.8 km/h
Gradeability - stowed****	35%		30%	
Maximum outrigger leveling:				
front to back	6.6°		6.6°	
side to side	10.6°		10.6°	
Turning radius - inside	5 ft	1.52 m	5 ft	1.52 m
Turning radius - outside	12 ft 1 in	3.68 m	12 ft 1 in	3.68 m
Raise/lower speed	30/35 sec		40/37 sec	
Controls	proportional		proportional	
Drive	four wheel		four wheel	
Tires - rough terrain	12 x 23.5 in	30 x 60 cm	12 x 23.5 in	30 x 60 cm

POWER				
Power source	Kubota DF-752 gas/LPG 22 hp Kubota D-905 Diesel 20 hp Perkins 403C-11 Diesel 26 hp		Kubota DF-752 gas/LPG 22 hp Kubota D-905 Diesel 20 hp Perkins 403C-11 Diesel 26 hp	
Fuel tank capacity	15 gal	56.8 L	15 gal	56.8 L
Hydraulic system capacity	16.5 gal	62.5 L	16.5 gal	62.5 L

WEIGHT*****				
	6,373 lbs	2,891 kg	8,008 lbs	3,632 kg
with outriggers	7,434 lbs	3,372 kg	9,072 lbs	4,115 kg

STANDARDS COMPLIANCE	ANSI A92.6, CSA B354.2, CE Compliance, AS 1418.10
----------------------	---



\* The metric equivalent of working height adds 2 m to platform height. U.S. adds 6 ft to platform height.

\*\* Based on RT tires; deduct 2 in (5.8 cm) for turf and non-marking tires.

\*\*\* CE/AUS markets: GS-3268 limited to 2 person platform occupancy when used outdoors.

\*\*\*\* Gradeability applies to driving on slopes. Gradeability may vary depending on the weight of options installed on machine. See operator's manual for details regarding slope ratings.

\*\*\*\*\* Weight varies depending on options and country standards.

## Features

### STANDARD FEATURES

#### MEASUREMENTS

##### GS™-2668RT

- 32 ft (9.92 m) working height
- Up to 1,250 lb (567 kg) lift capacity

##### GS™-3268RT

- 38 ft (11.75 m) working height
- Up to 1,000 lb (454 kg) lift capacity

#### PRODUCTIVITY

- 99 x 61 in (2.51 x 1.55 m) steel platform
- 60 in (1.52 m) extension deck
- Folding guardrails
- Proportional lift and drive
- Platform control with battery charge indicator and diagnostic display
- AC power to platform
- Full height swing gate
- 4WD
- Positive traction control
- Four-wheel braking
- Swing-out engine tray
- Foam-filled rough terrain tires
- Tilt level sensor with audible alarm
- Descent alarm
- Horn
- Hour meter

#### POWER

- Kubota gas/LPG 22 hp (16 kW)

### OPTIONS & ACCESSORIES

#### PRODUCTIVITY

- Automatic leveling hydraulic outriggers
- Air line to platform
- Pipe cradle (pair)
- Non-marking rough terrain tires  
12 x 23.5 in (30 x 60 cm)
- Dual flashing beacons
- Motion alarm
- Platform work lights

#### POWER OPTIONS

- Kubota diesel 20 hp (15 kW)
- Perkins diesel 26 hp (19 kW)
- 2000 AC Watt generator (120V/60 Hz)
- Diesel Scrubber (Perkins)
- Cold weather package
- Arctic package
- Hydraulic oil cooler
- LPG steel tank only, 33.5 lb capacity
- Additional LPG tank and carrier



**Working At Height Limited**  
(Southern Office)  
Amberley Court  
Old Elstead Road  
Milford  
Surrey  
GU8 5EB

Tel: 01483 415 410  
Fax: 01483 417 719

**Working At Height Limited**  
(Northern Office)  
The Portergate  
Ecclesall Road  
Sheffield  
South Yorkshire  
S11 8NX

Tel: 0114 209 6206  
Fax: 0114 209 6001

#### Suppliers of:

Powered Access Platforms  
Aerial Work Platforms  
Runabout Access Platforms  
Scissor Lifts  
Articulating Boom Access Platforms  
Telescopic Boom Access Platforms  
Material Lifts  
Telehandlers  
MEWPS Training